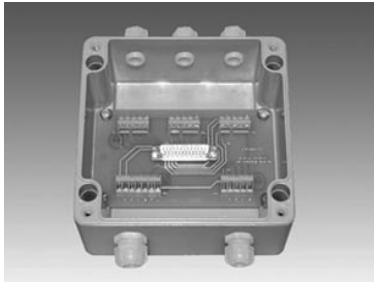


## Summing Junction Box



### FEATURES

- Die cast aluminum or stainless steel
- Up to 4 transducers
- Fast and accurate connection
- ATEX (Option)
- IP 66
- Easy connection to Load cells tester 1006

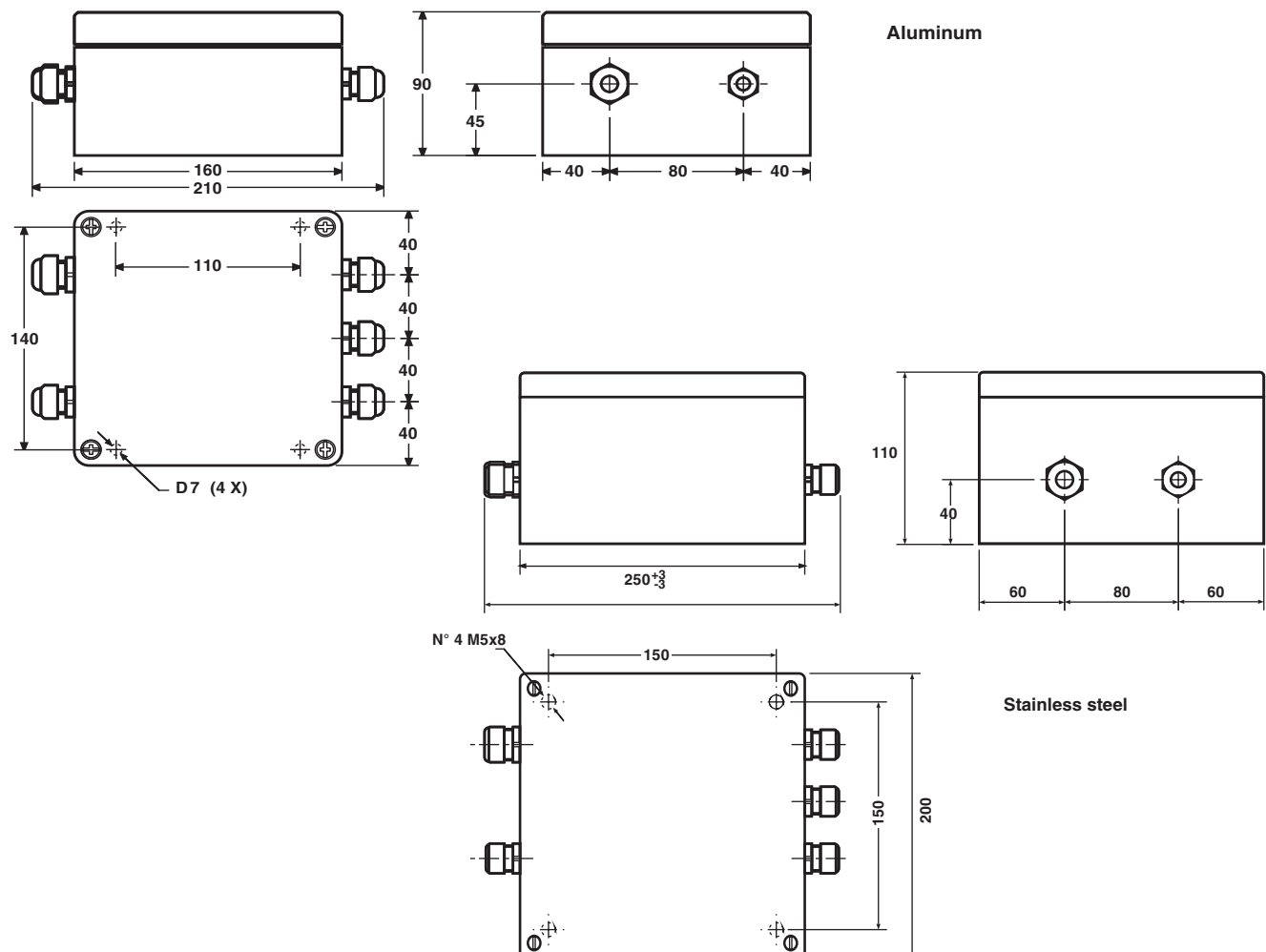
### DESCRIPTION

Rugged summing junction box, build for harsh environment. Easy connection to load cell tester model 1006 for testing of individual transducer, calibration, service and diagnostic.

### APPLICATIONS

- All applications for weighing and force with up to 4 transducers

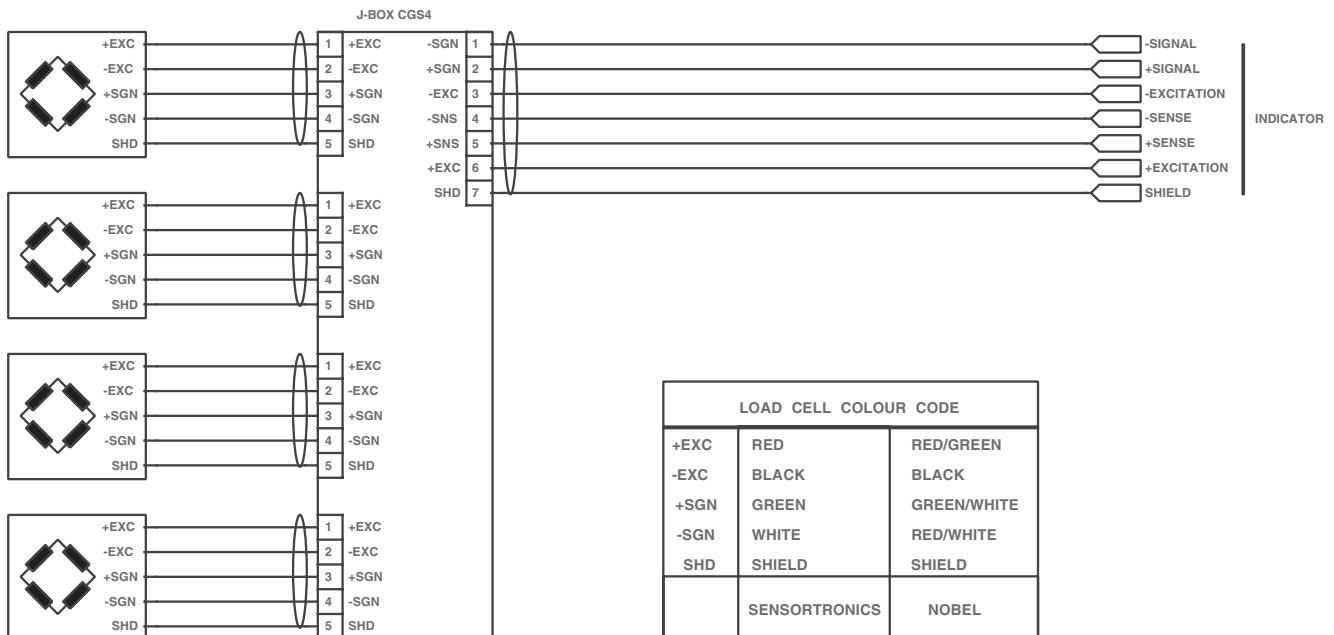
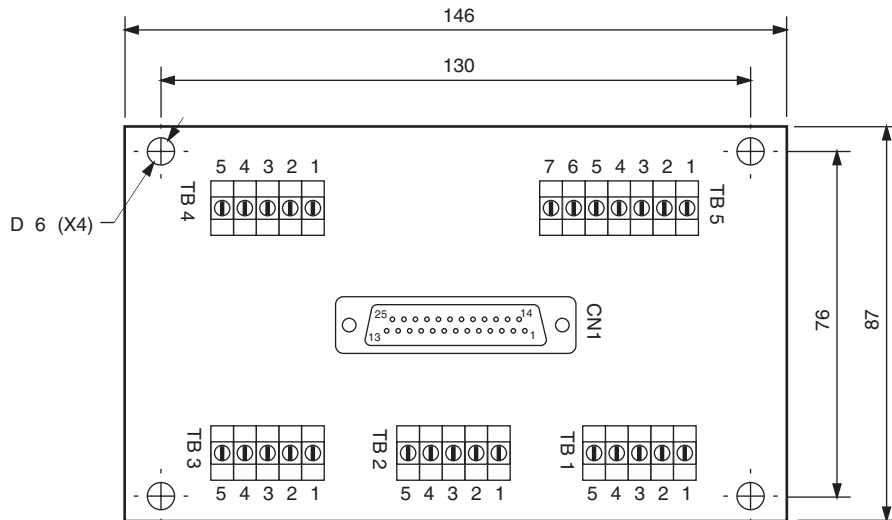
### OUTLINE DIMENSIONS



**SPECIFICATIONS**

Capacity	Up to 4 transducers	
Connections	Terminal blocks, ground screws	
Enclosure	Die cast aluminium or stainless steel	
Operating temperature range	-40 to +90	°C
Box size	160 x 160 x 90 (L x W x H)	mm

**CONNECTIONS**



## Disclaimer

All product specifications and data are subject to change without notice.

Vishay Precision Group, Inc., its affiliates, agents, and employees, and all persons acting on its or their behalf (collectively, "Vishay Precision Group"), disclaim any and all liability for any errors, inaccuracies or incompleteness contained herein or in any other disclosure relating to any product.

Vishay Precision Group disclaims any and all liability arising out of the use or application of any product described herein or of any information provided herein to the maximum extent permitted by law. The product specifications do not expand or otherwise modify Vishay Precision Group's terms and conditions of purchase, including but not limited to the warranty expressed therein, which apply to these products.

No license, express or implied, by estoppel or otherwise, to any intellectual property rights is granted by this document or by any conduct of Vishay Precision Group.

The products shown herein are not designed for use in medical, life-saving, or life-sustaining applications unless otherwise expressly indicated. Customers using or selling Vishay Precision Group products not expressly indicated for use in such applications do so entirely at their own risk and agree to fully indemnify Vishay Precision Group for any damages arising or resulting from such use or sale. Please contact authorized Vishay Precision Group personnel to obtain written terms and conditions regarding products designed for such applications.

Product names and markings noted herein may be trademarks of their respective owners.